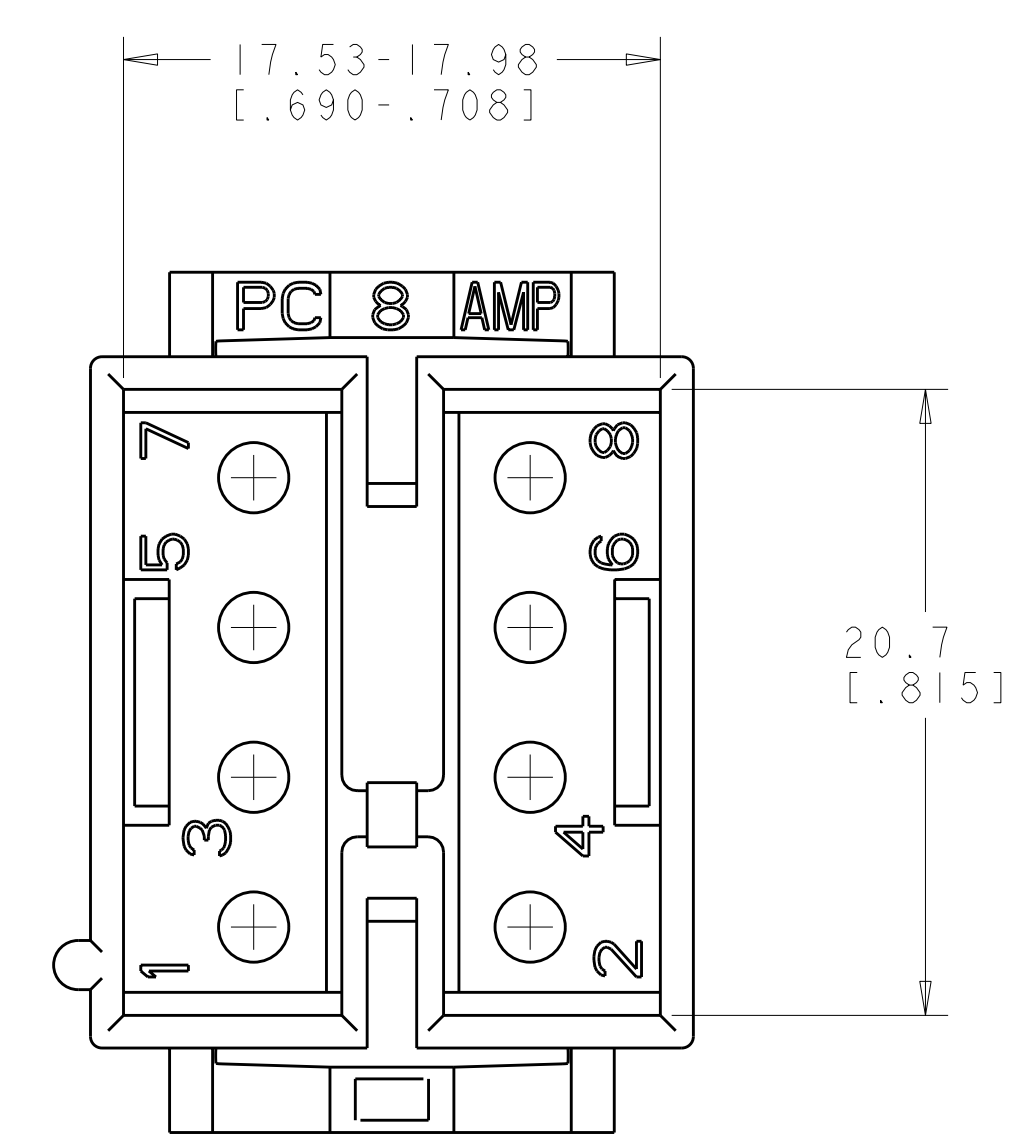
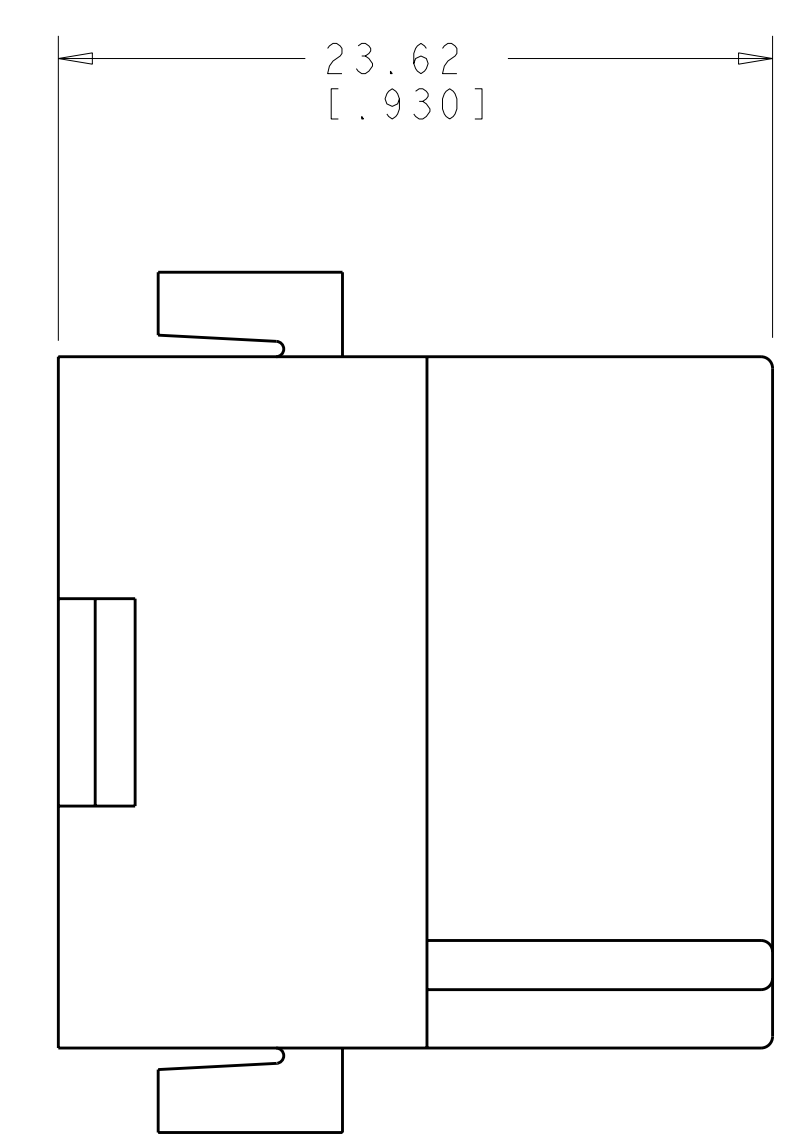
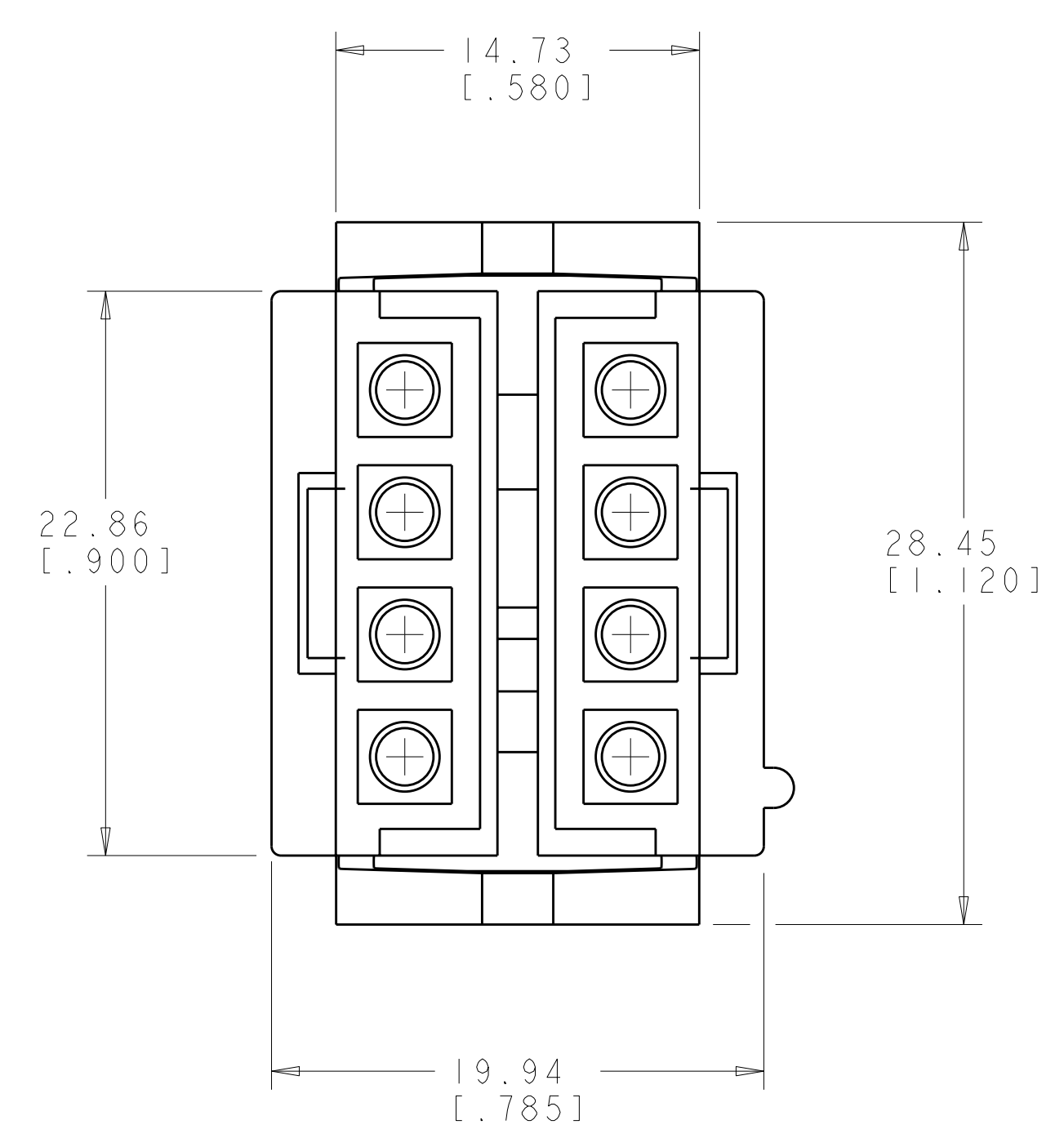
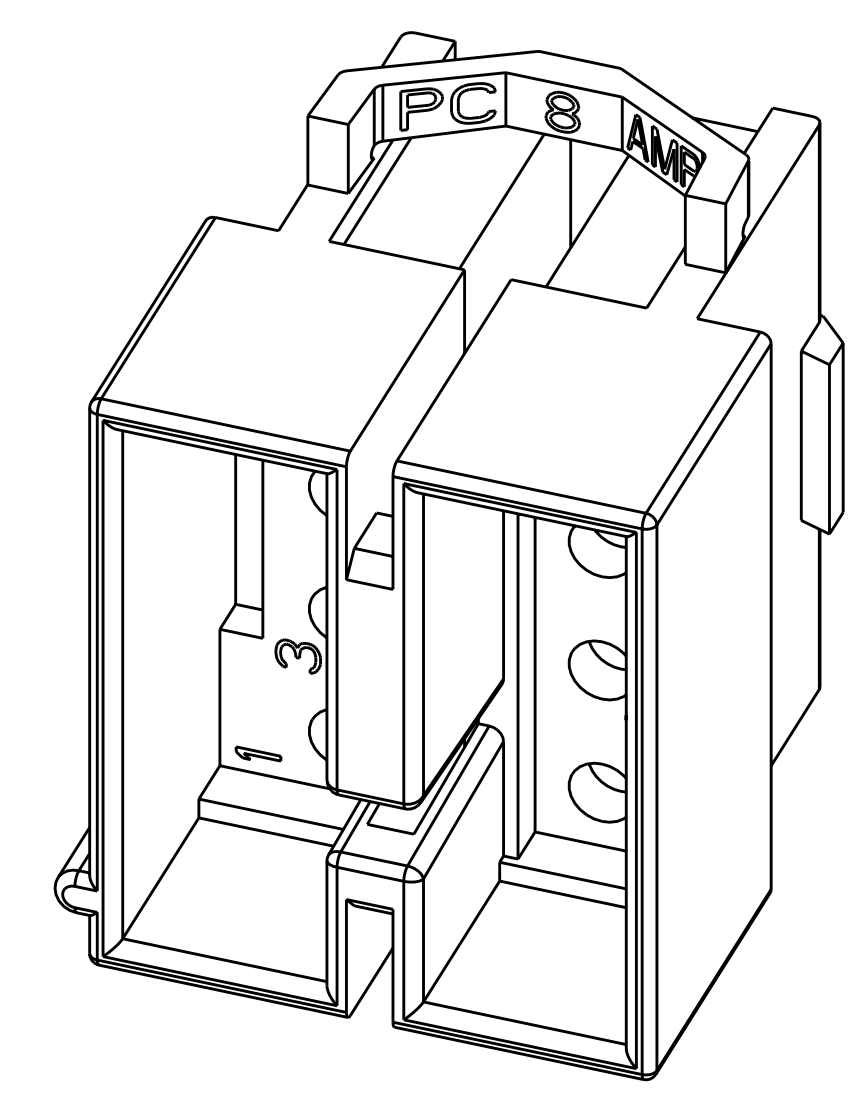
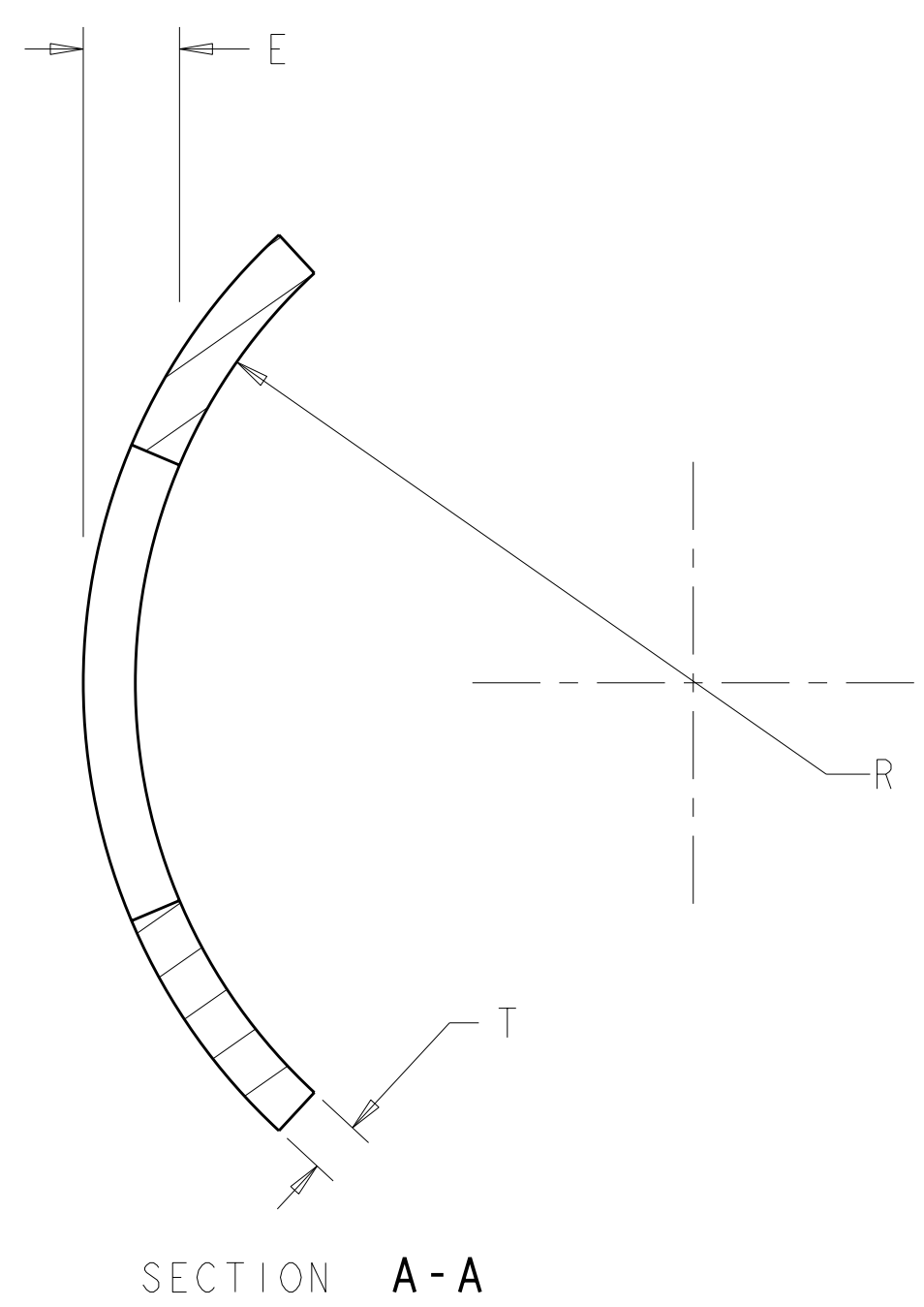
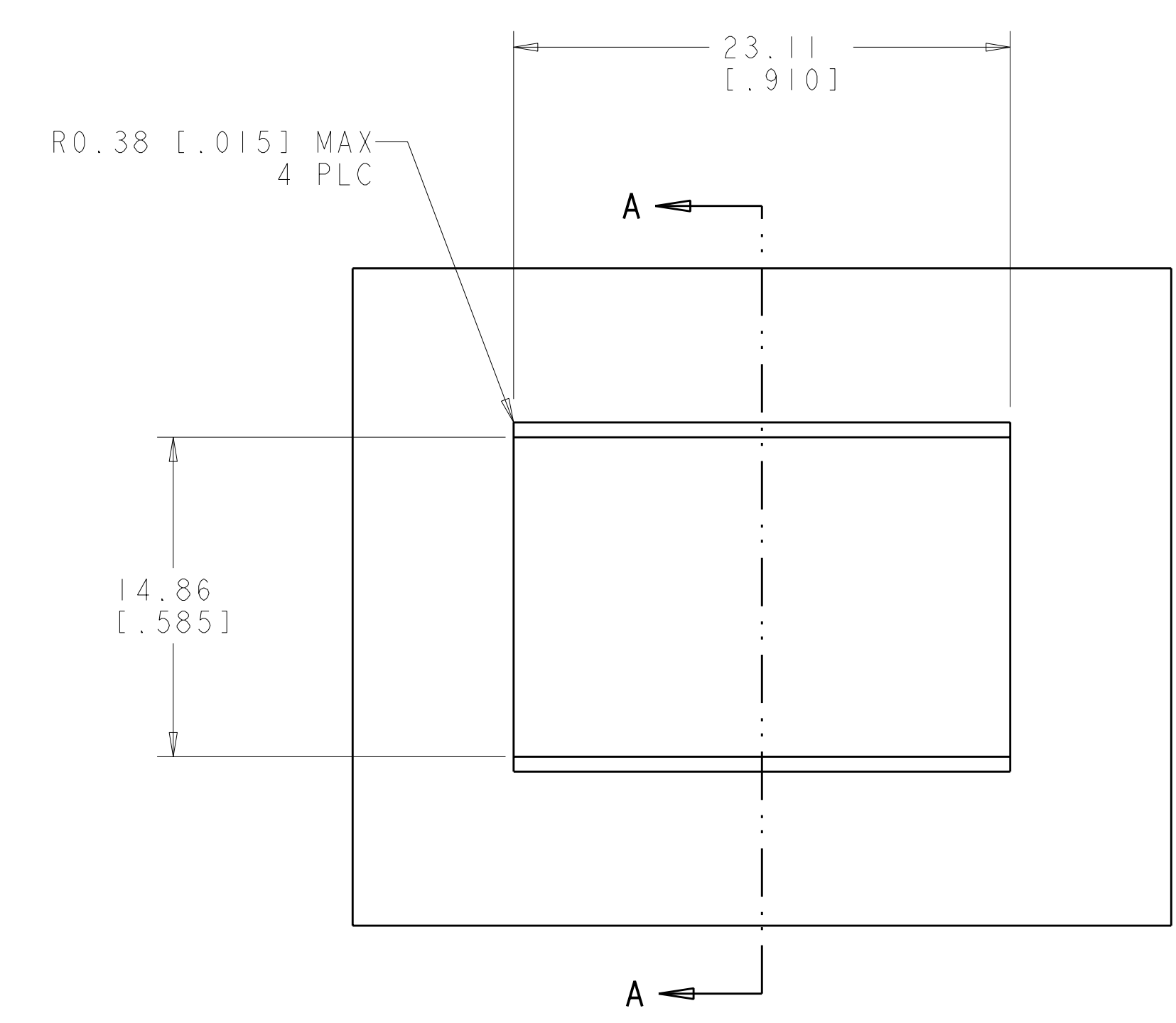
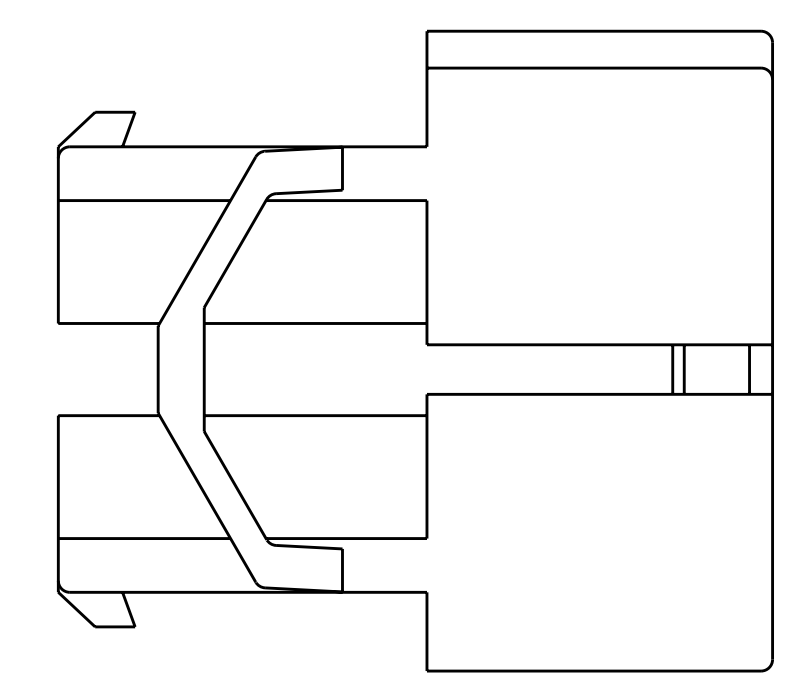


LOC	DIST	REVISIONS					
CM	00	P	LTB	DESCRIPTION	DATE	DWN	APVD
		G		ECO-07-030154	20DEC2007	KW	CC



1. TO BE USED WITH COMMERCIAL MATE-N-LOK™ PINS.
2. TO BE USED WITH PLUG 480283.
3. RECOMMENDED PANEL THICKNESS "E" IS 1.02-2.54 [1.040-.100] AND IS DEPENDENT ON "T" AND "R".
4. HOUSING MUST BE INSERTED IN A ROCKING MANNER.
5. THE PANEL MUST BE PUNCHED SO THAT THE HOUSING ENTERS THE PANEL IN THE SAME DIRECTION AS THE PUNCH.
6. MOTOR MOUNT HOUSINGS MAY BE USED IN FLAT PANELS.



RECOMMENDED CUT OUT

0.24 IN ³	1-480284-0
VOLUME	PART NUMBER

METRIC

DIMENSIONS: mm [INCHES] TOLERANCES UNLESS OTHERWISE SPECIFIED: 9 PLC ± 1 PLC ± 5 PLC ±0.13 [1.005] 4 PLC ± ANGLES ± FINISH ±40° 30'		DWN R. WHITAKER 20DEC2007 CHK C. CASH 20DEC2007 APVD C. CASH 20DEC2007 PRODUCT SPEC APPLICATION SPEC WEIGHT CUSTOMER DRAWING	Tyco Electronics Harrisburg, PA 17105-3608 NAME CAP. 6 CIRCUIT, MOTOR MOUNT, COMMERCIAL MATE-N-LOK(TM) SIZE CAGE CODE DRAWING NO. RESTRICTED TO A1100779C=480284 SCALE 4:1 SHEET 1 OF 1 REV G
--	--	--	---